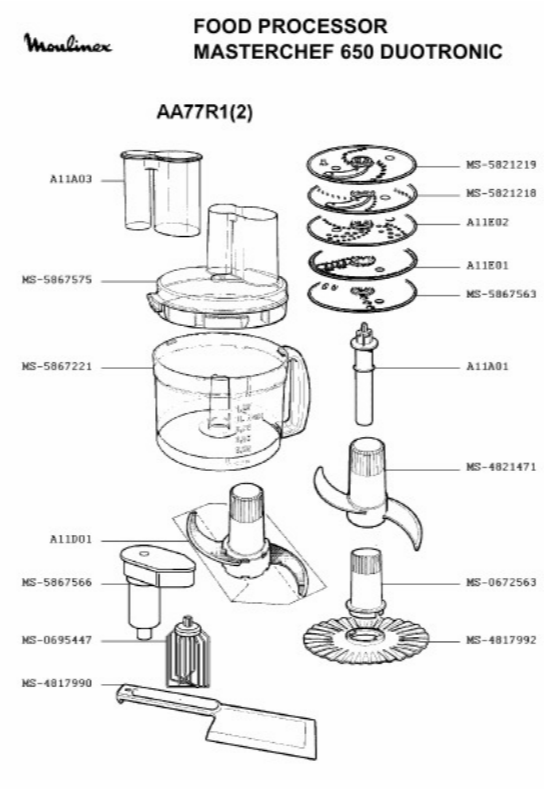


Moulinex Masterchef 750 Duotronic Manual



CREATOR	12/12003	PAGE	COUNTRY	FAMILY
EDIT		1/3	BO	III

DOWNLOAD: <https://hytly.com/29cut6>

[Download](#)

[jai bhim comrade full movie 38](#)
[Unix Shell Programming By Sumitabha Das Pdf Free 11](#)
[Virtual City Playground Cheat 2017 Unlimited Gold and Diamonds](#)
[La Critique De L](#)
[Download Legenda On The Road 720p](#)
[how's moving castle diana wyne jones epub 44](#)
[ninite pro cracked](#)
[harlan coben verzoeking epub 12](#)
[darksiders 2 update 4 skidrow crack only](#)
[JEDI: JCL JVCL up to Delphi 10.3 Rio](#)